



Seed Transport Tube Conveyor

*Gently handles fragile soybeans, peas,
seeds and other delicate crops.*



10" Easy-Vey Seed Conveyor



Easy-Vey Large Size Hopper



Easy-Vey Models: 8" / 26' & 31'
10" / 41'

TUBE CONVEYORS

Standard Eight and Ten Inch diameter Tubes

- Adjustable hopper height, for 8" or 10" tubes easily fits under standard hopper wagon. Hopper height adjustments from 14" to 53"
- Hydraulic top drive –
5.9 cubic inch hydraulic motor
- Can be fitted with an inoculant applicator
- 3 stage telescopic down spout – adds to your filling convenience
- 10" crescent top belt – runs inside a 8" tube and will convey material up to a 30° incline

4 Tube Sizes: 8" 10" 12" 14" Diameter

Tube Lengths: 26' 31' 36' 41' 46' 51' 56' 61'

8"/26' & 31' + 10"/41' are Standard Models

All other sizes are made to order.



Seed Transfer Tube Conveyors

8" 10" 12" 14" Tubes

26' 31' 36' 41' 46' 51' 56' 61' Lengths

Standard Tube Conveyors: 8"/26' & 31' 10"/41'

Capacity in bushels per hour

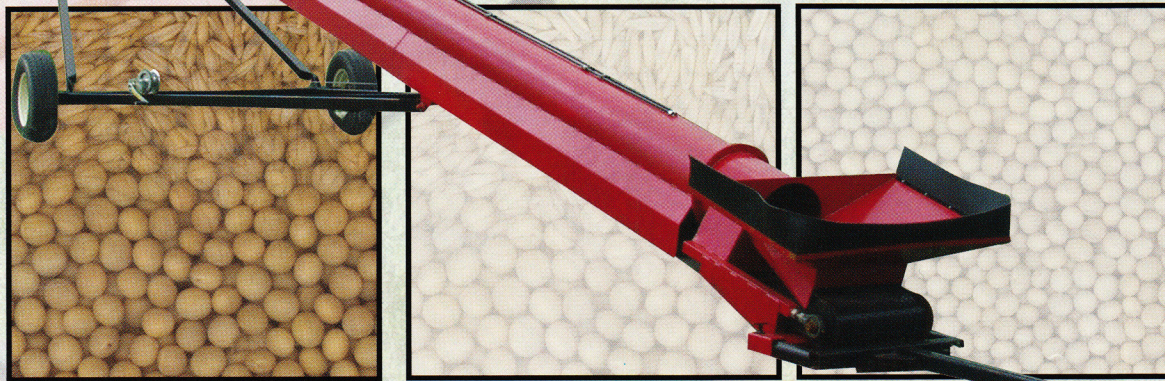
Hydraulic System Flows at 1500 psi

Tube	6 GPM	8 GPM	10 GPM	12 GPM	14 GPM	16 GPM
8"	894	1216	1532	1848	2170	2481
10"	1394	1897	2391	2885	3387	3873
12"	1937	2633	3342	4052	4762	5457
14"	3141	4246	5352	6428	7562	8609

All figures are approximate

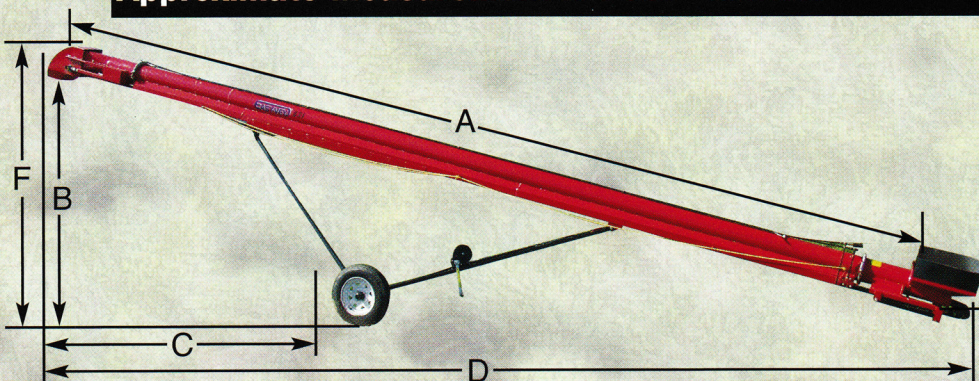
Can be increased or decreased on request

Call your local dealer for more details



A is from roll to roll	26	31	36	41	46	51	56	61
B is at 28° incline	12-0	13-8	16-10	19-4	21-10	25-0	26-6	28-9
C is at 28° incline	11-0	14-0	15-6	17-4	18-10	21-0	22-8	24-4
D transport length	25-0	34-0	39-0	44-6	49-6	55-0	60-0	65-6
E is overall width	8-2	8-2	8-9	8-9	9-7	9-7	10-0	10-0
F is transport height	8-0	8-4	8-8	9-11	11-1	12-0	13-6	13-6

Approximate Measurement in Feet - Inches:



Available at:

BACH-RUN

Bach-Run Farms Ltd.
7614 Perth Road 121,
RR 4 Listowel Ontario, N4W 3G9
Telephone 519-595-4029